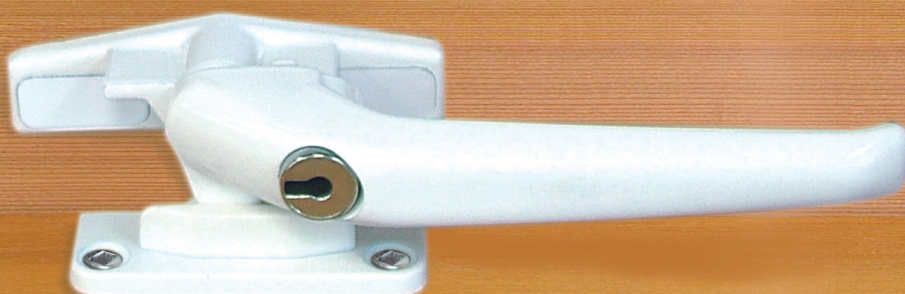




The world's favourite lock



Avon Timber replacement window handle



The Avon Window Fastener has been designed for use with timber framing. A strong fastener that offers extra security with its unique lockable option. The Avon is supplied complete with a tongue and keeper arrangement specifically designed to allow ventilation through the split-rail wedge.

Features

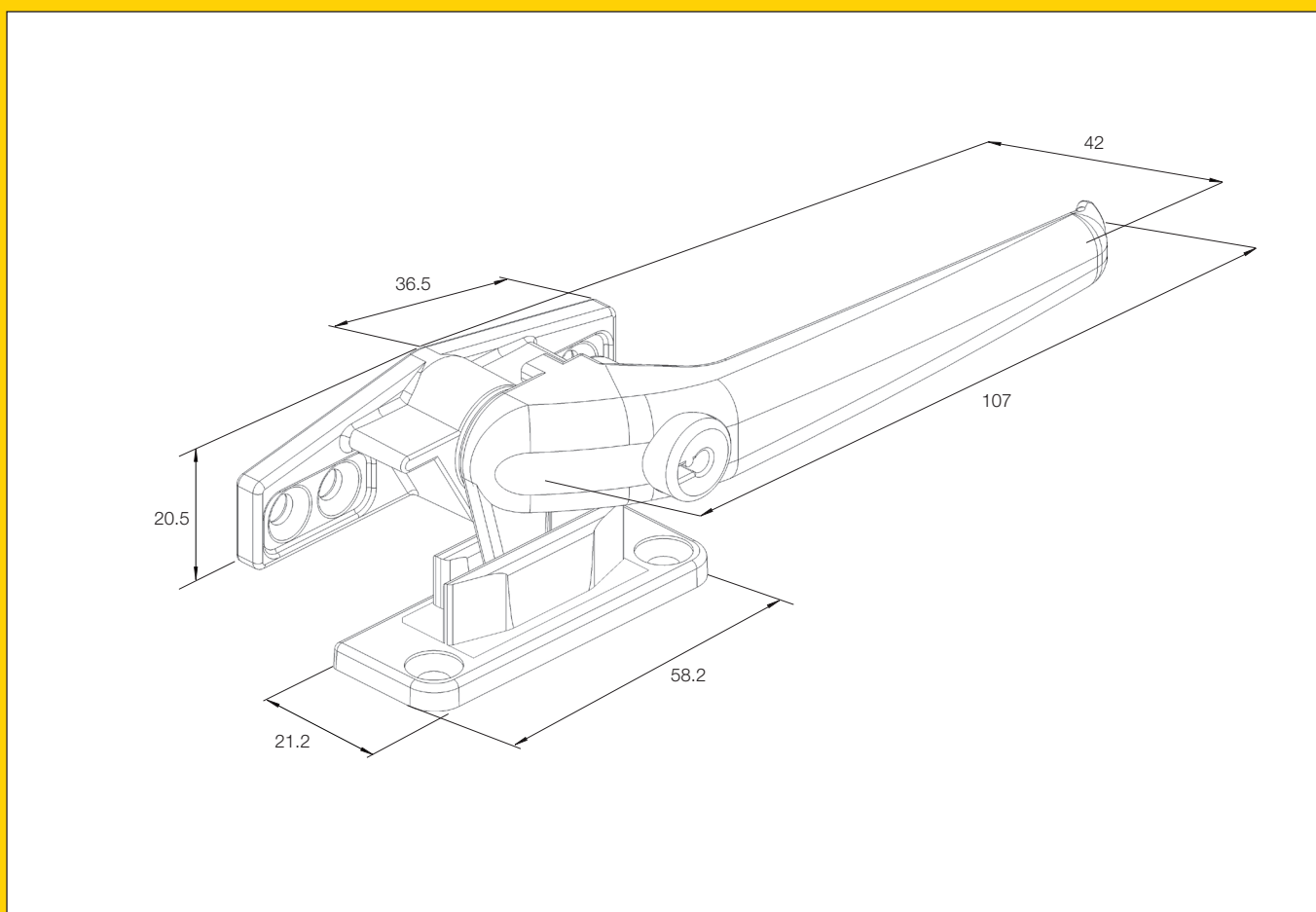
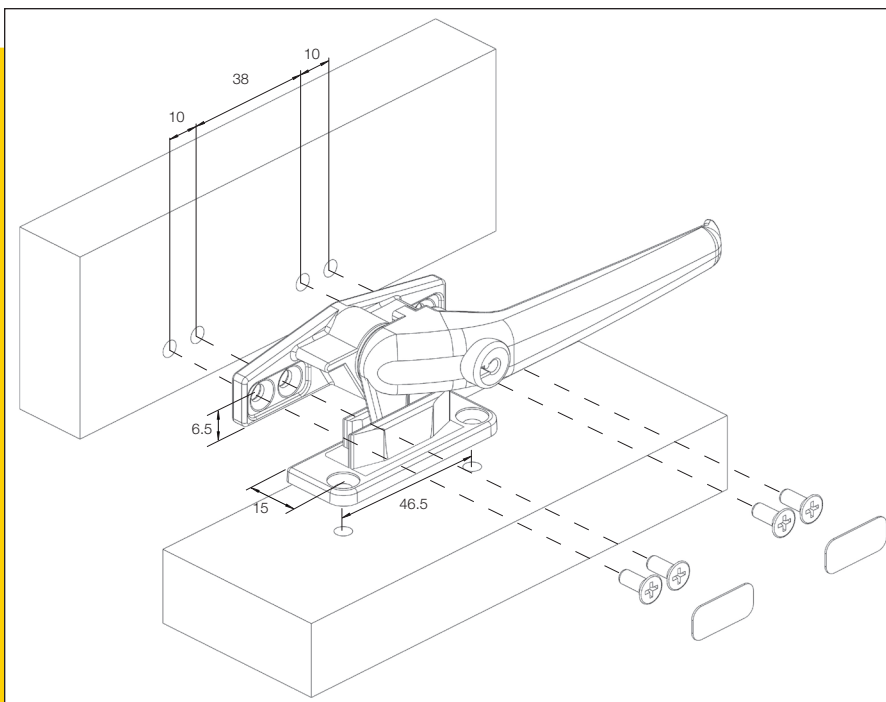
- Robust design
- Split-rail wedge allows for safer ventilation
- Offset fixing screw location helps avoid splitting of the timber
- Strong zinc die-cast construction
- Pushbutton locking option for added security
- Available with 17mm backset
- New Zealand made

Options

- Left and right-handed models available
- Locking or non-locking design
- Different plating options
- Available in a wide range of powdercoat colours and plated finishes

Avon Timber replacement window handle

The world's favourite lock



RES-FLY-009 - YALE - 1012NZ

ASSA ABLOY New Zealand Ltd.
6 Armstrong Road, Albany, Auckland 0632
info.nz@assaabloy.com
www.yalelock.co.nz

ASSA ABLOY Australia Pty Ltd.
235 Huntingdale Road, Oakleigh, Victoria 3166
info.au@assaabloy.com
www.assaabloy.com.au

An ASSA ABLOY Group brand

ASSA ABLOY